



**Manufacturers of Premium
Hardwood Mouldings**

STOCK MOULDING PROFILES

Crown, base, casing , panel, S4S, handrail and scribe stock profiles available in a variety of wood species including knotty alder superior alder and poplar. Thousands of custom profiles are also available in most any species. VolterraFlex™, flexible moulding may be produced to match any hardwood profile.

Please contact our office for pricing.

1902 N. 22nd Ave.

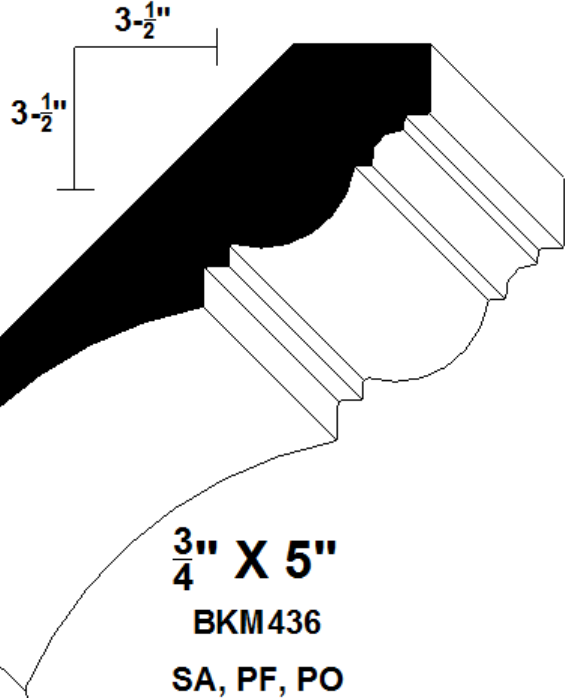
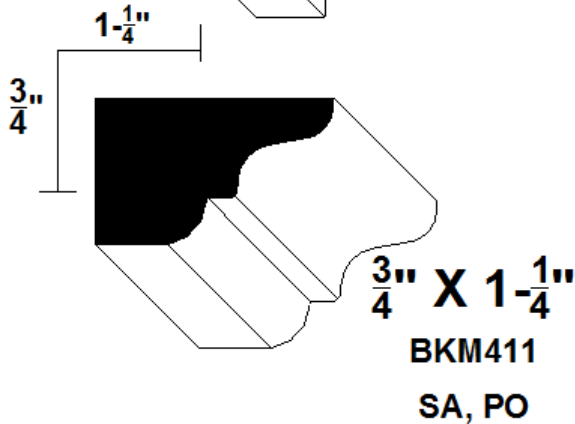
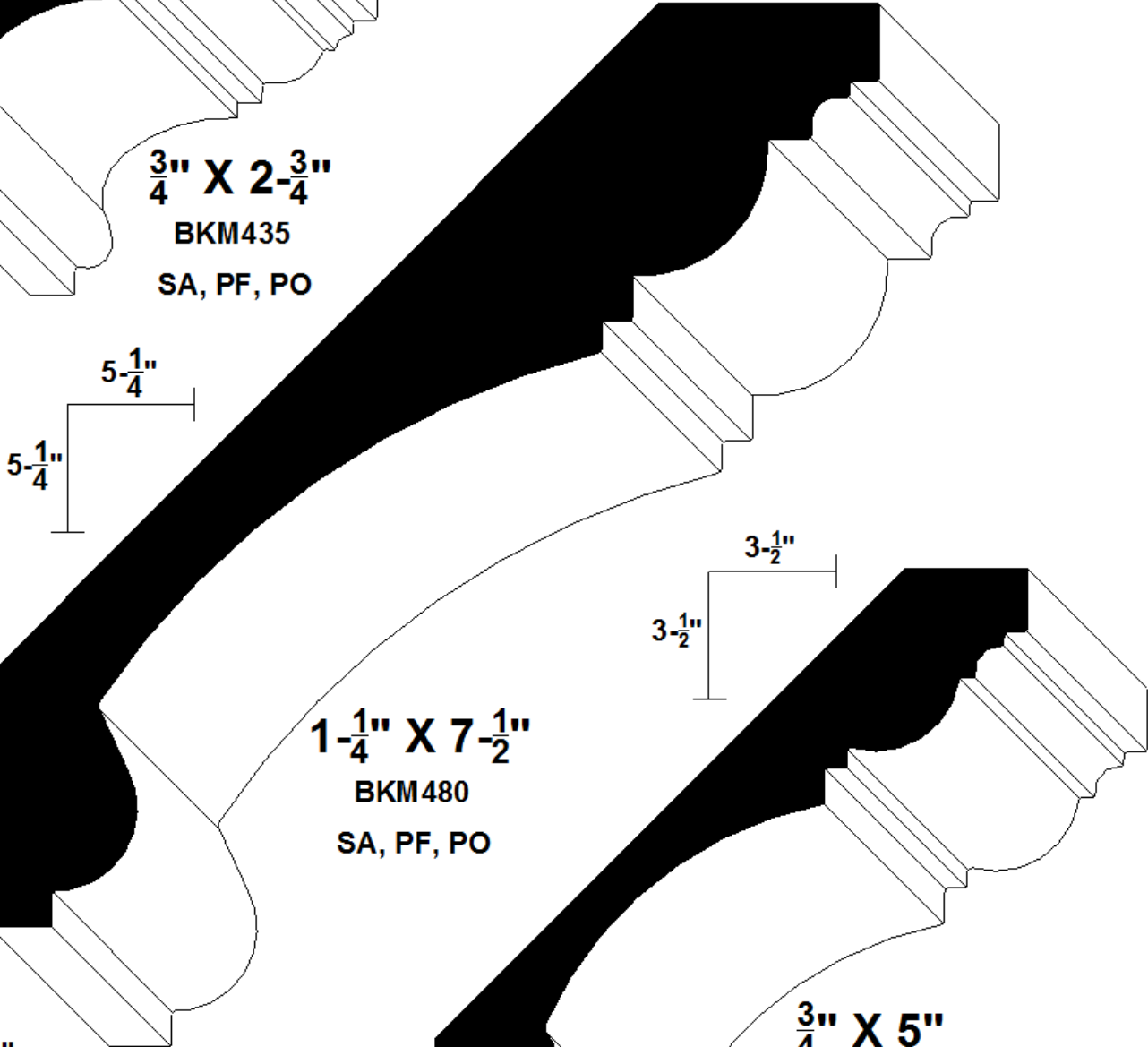
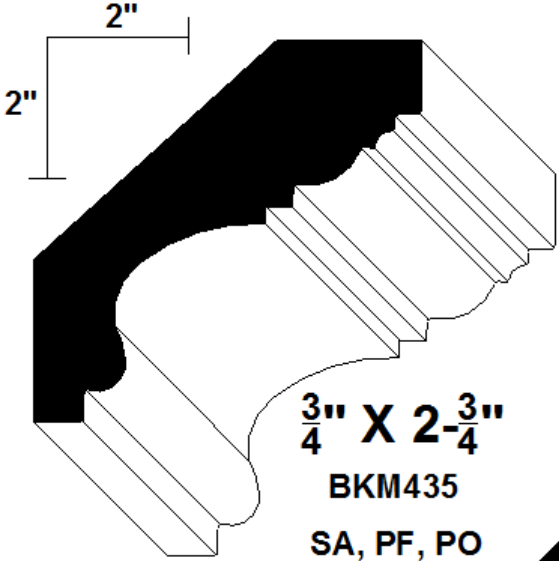
Phoenix, AZ 85009

Phone: 602.258.7373

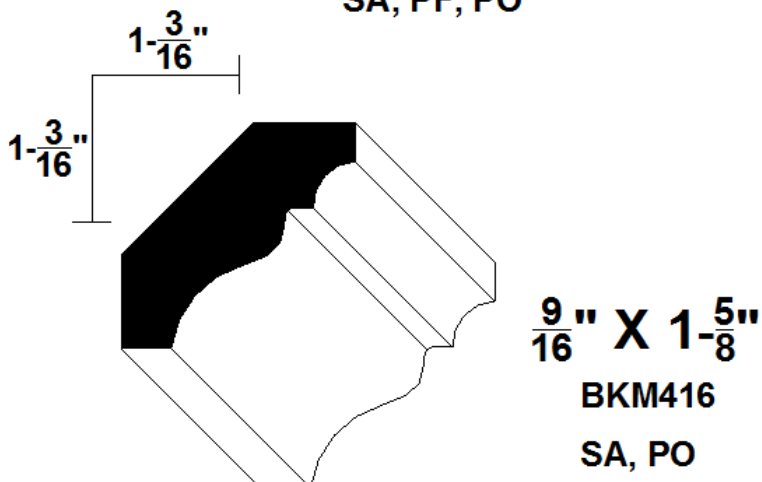
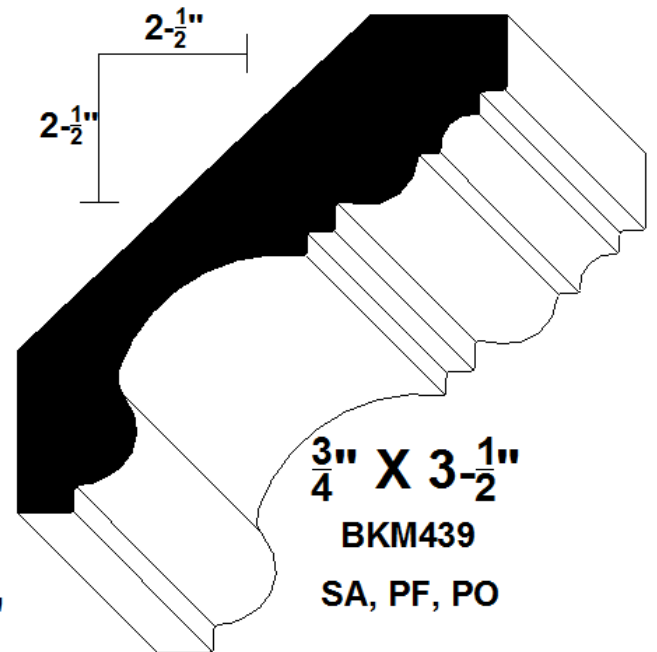
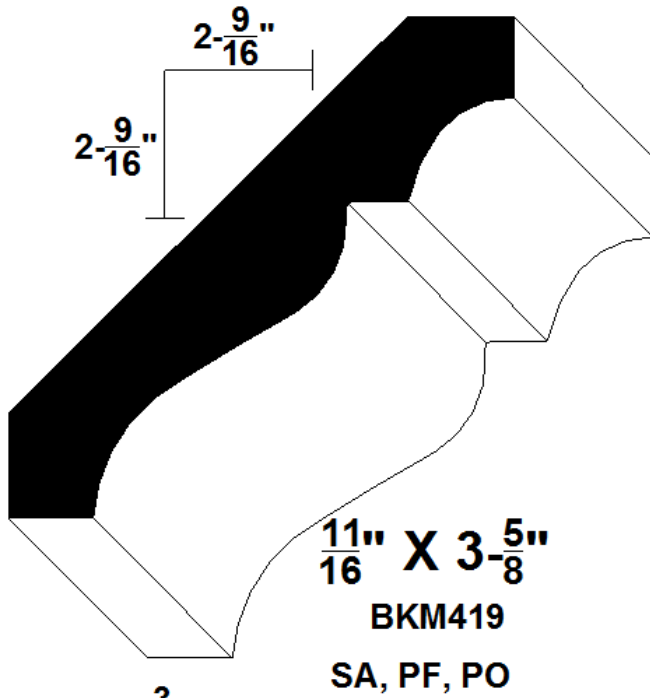
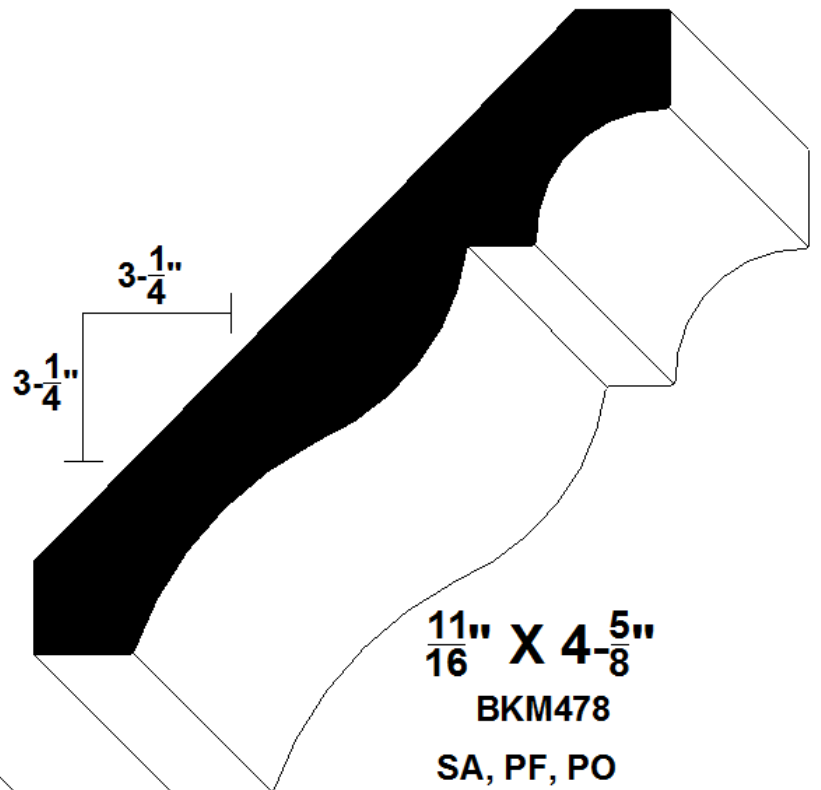
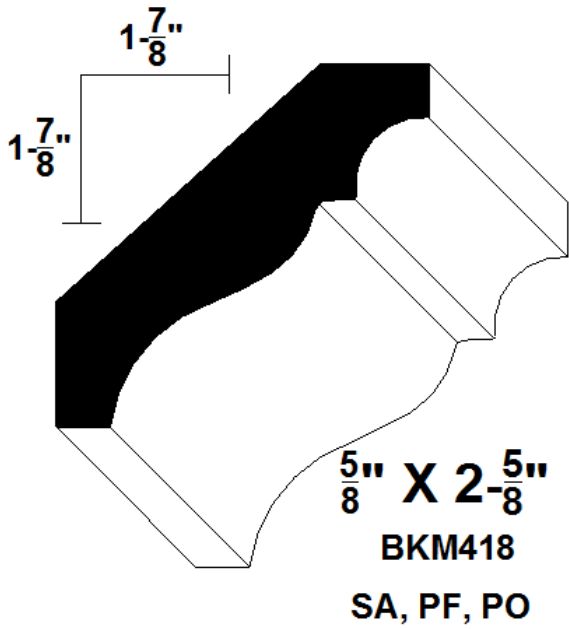
Fax: 602.258.7414

www.volterraproducts.com

Crown

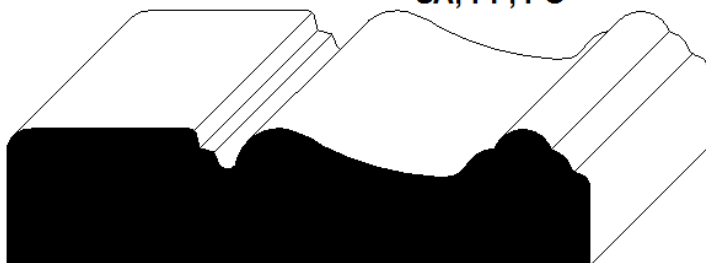


Crown

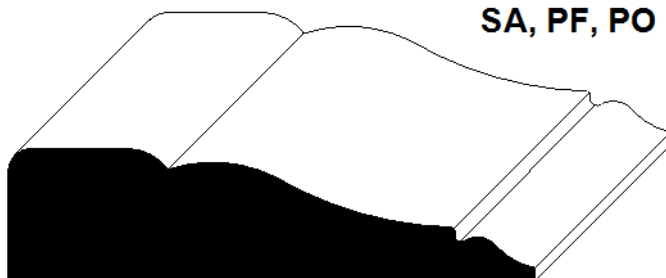


Casing

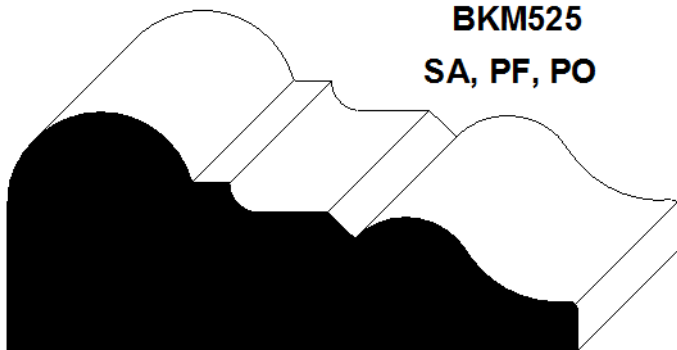
$\frac{3}{4}$ " X $3\frac{1}{2}$ "
BK5130 CASE
SA, PF, PO



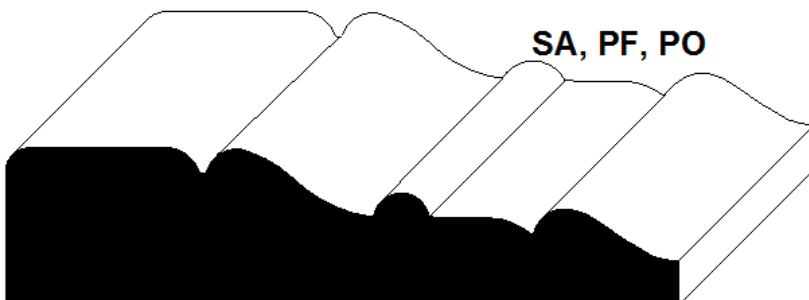
$\frac{11}{16}$ " X $2\frac{3}{4}$ "
BKM5128
SA, PF, PO



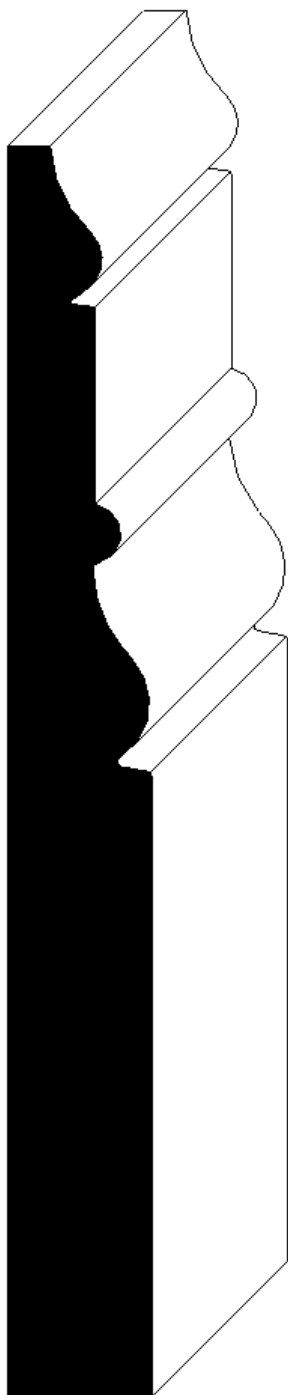
$1\frac{1}{4}$ " X 3"
BKM525
SA, PF, PO



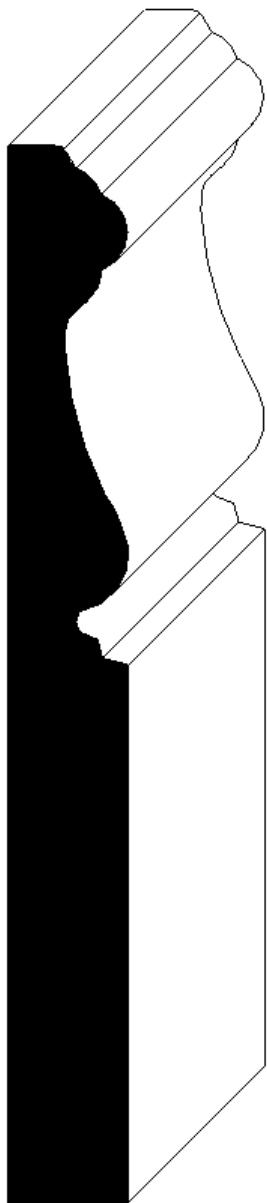
$\frac{13}{16}$ " X $3\frac{1}{2}$ "
BKM520
SA, PF, PO



Base



$\frac{3}{4}$ " X $6\frac{1}{2}$ "
BK 668
SA, PF, PO



$\frac{5}{8}$ " X $5\frac{1}{2}$ "
BKM612
SA, PF, PO



$\frac{3}{4}$ " X 5"
BKM6019
SA, PF, PO

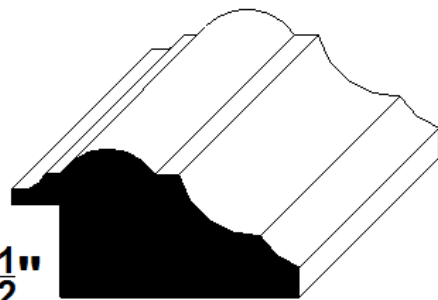


$\frac{9}{16}$ " X $3\frac{1}{4}$ "
BKM6159
SA, PF, PO



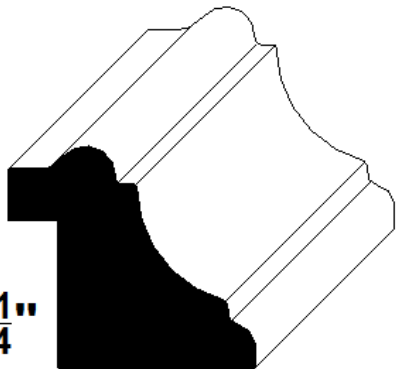
$\frac{9}{16}$ " X $4\frac{1}{4}$ "
BKM6160
SA, PF, PO

Panel



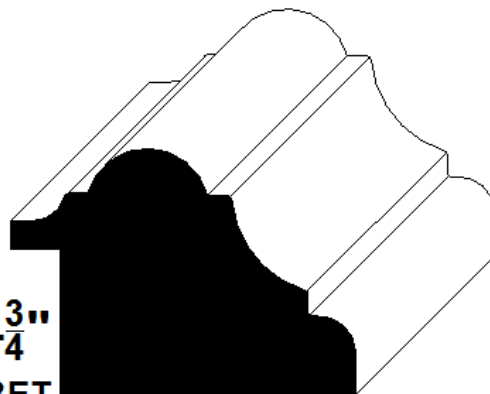
$\frac{3}{4}$ " X $1\frac{1}{2}$ "
 $\frac{1}{4}$ " X $\frac{1}{2}$ "

RABBET
 BKM782
 SA, PO



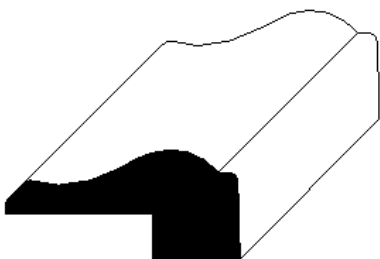
$1\frac{1}{8}$ " X $1\frac{1}{4}$ "
 $\frac{1}{4}$ " X $\frac{3}{4}$ " RABBET

BKM750
 SA, PO



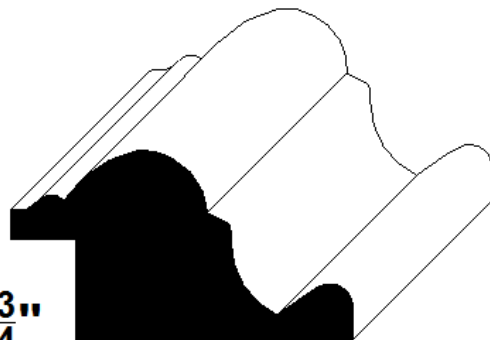
$1\frac{1}{4}$ " X $1\frac{3}{4}$ "
 $\frac{1}{4}$ " X $\frac{3}{4}$ " RABBET

BKM752
 SA, PO



$\frac{9}{16}$ " X $1\frac{3}{16}$ "
 $\frac{3}{4}$ " X $\frac{1}{4}$ " RABBET

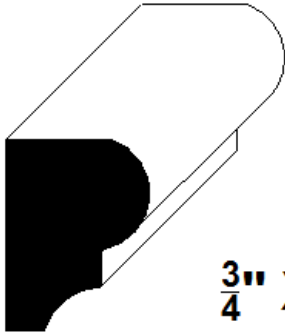
BKM7568
 SA, PO



1" X $1\frac{3}{4}$ "
 $\frac{7}{16}$ " X $\frac{1}{2}$ " RABBET

BKM7545
 SA, PO

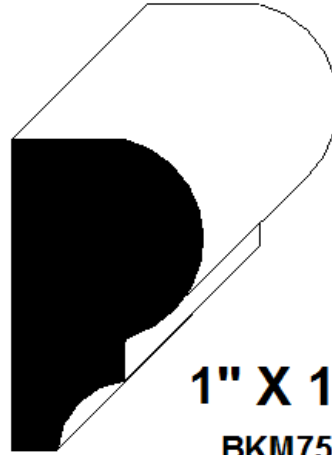
Panel



$\frac{3}{4}$ " X 1"

BKM785

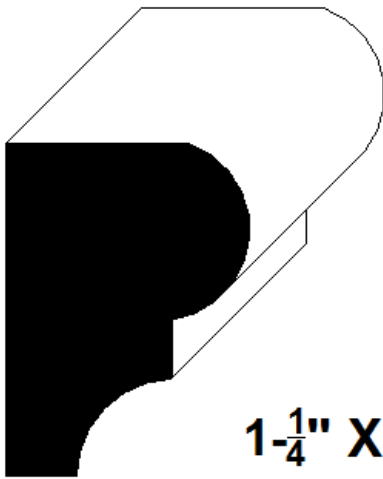
SA, PO



1" X 1- $\frac{5}{8}$ "

BKM756

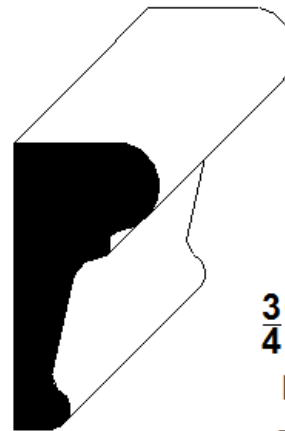
SA, PO



1- $\frac{1}{4}$ " X 1- $\frac{3}{4}$ "

BKM786

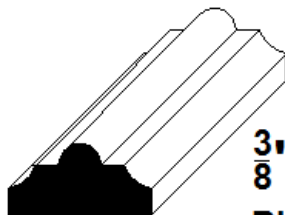
SA, PO



$\frac{3}{4}$ " X 1- $\frac{1}{2}$ "

BKM7540

SA, PO

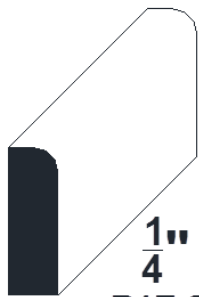


$\frac{3}{8}$ " X $\frac{3}{4}$ "

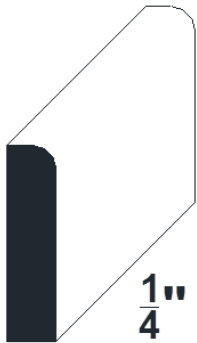
BKM7541

SA, PO

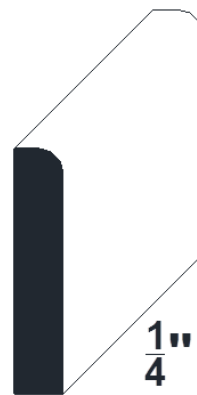
Scribe – Quarter Round – Corners



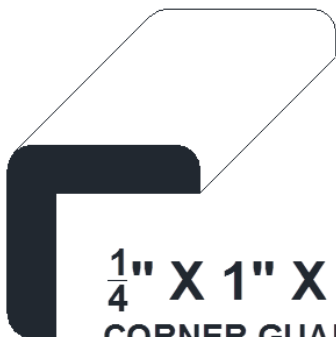
$\frac{1}{4}'' \times \frac{3}{4}''$
R1E SCRIBE
SA, PO



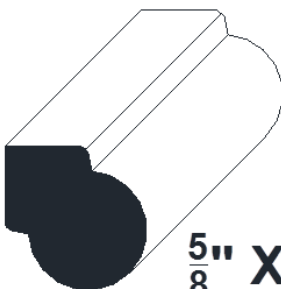
$\frac{1}{4}'' \times 1''$
R1E SCRIBE
SA, PO



$\frac{1}{4}'' \times 1\frac{1}{4}''$
R1E SCRIBE
SA, PO



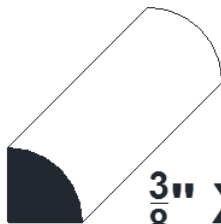
$\frac{1}{4}'' \times 1'' \times 1''$
CORNER GUARD
SA, PO



$\frac{5}{8}'' \times \frac{15}{16}''$
BK849
PO



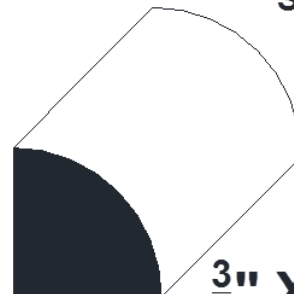
$\frac{1}{2}'' \times 1\frac{3}{8}''$
DOOR STOP
SA, PO



$\frac{3}{8}'' \times \frac{3}{8}''$
QUARTER ROUND
SA, PO



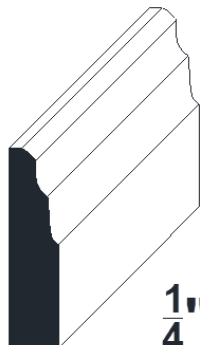
$\frac{1}{2}'' \times \frac{1}{2}''$
QUARTER ROUND
SA, PO



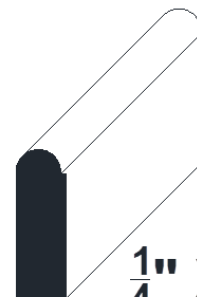
$\frac{3}{4}'' \times \frac{3}{4}''$
QUARTER ROUND
SA, PO



$\frac{1}{4}'' \times \frac{3}{4}''$
DETAIL SCRIBE
SA, PO



$\frac{1}{4}'' \times 1''$
DETAIL SCRIBE
SA, PO



$\frac{1}{4}'' \times \frac{3}{4}''$
BK10012 SCRIBE
SA, PO