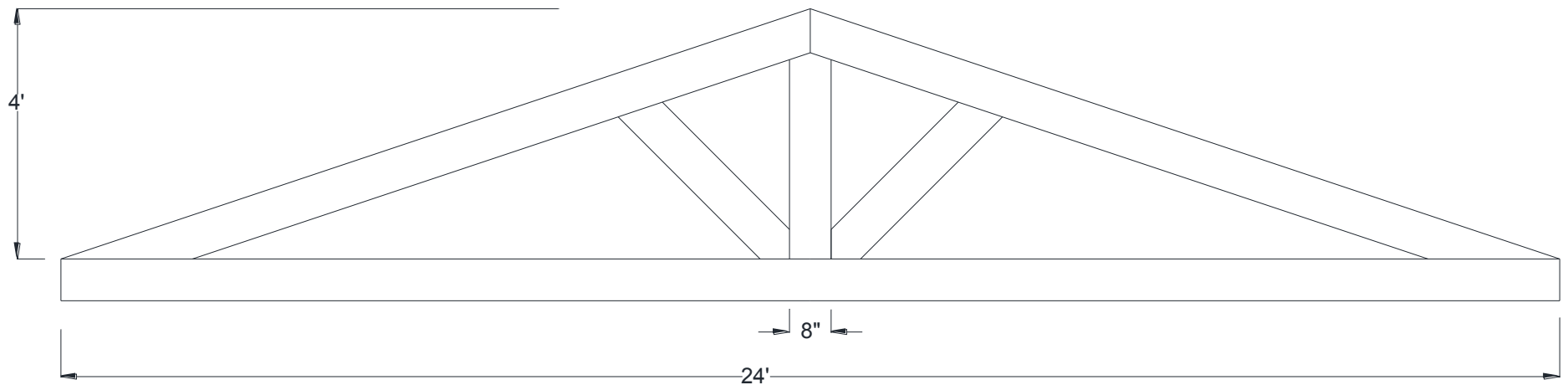




# Huntsman Hammered Truss

288" Width

Shown: 4/12 Pitch



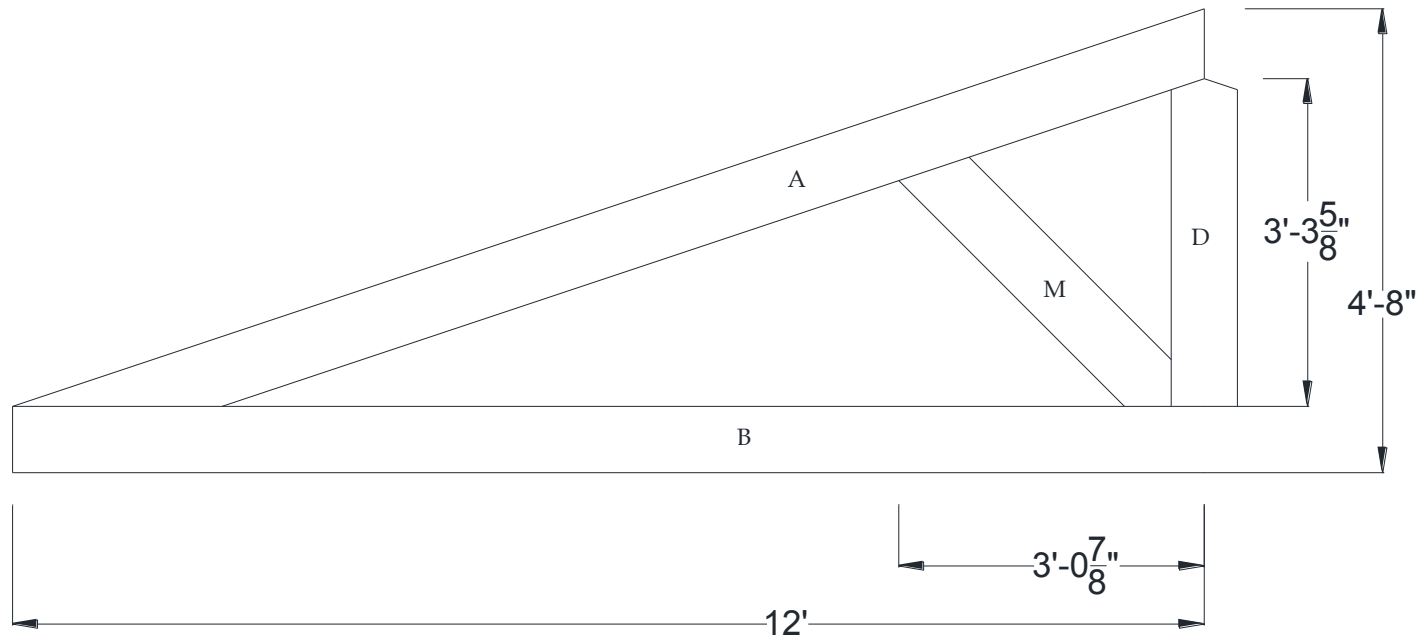
Volterra Architectural Products LLC – 1902 North 22nd Avenue – Phoenix, AZ 85009 – 602.258.7373

[www.volterraproducts.com](http://www.volterraproducts.com)

# Huntsman Hammered Truss

288" Width

## Dimension Sheet

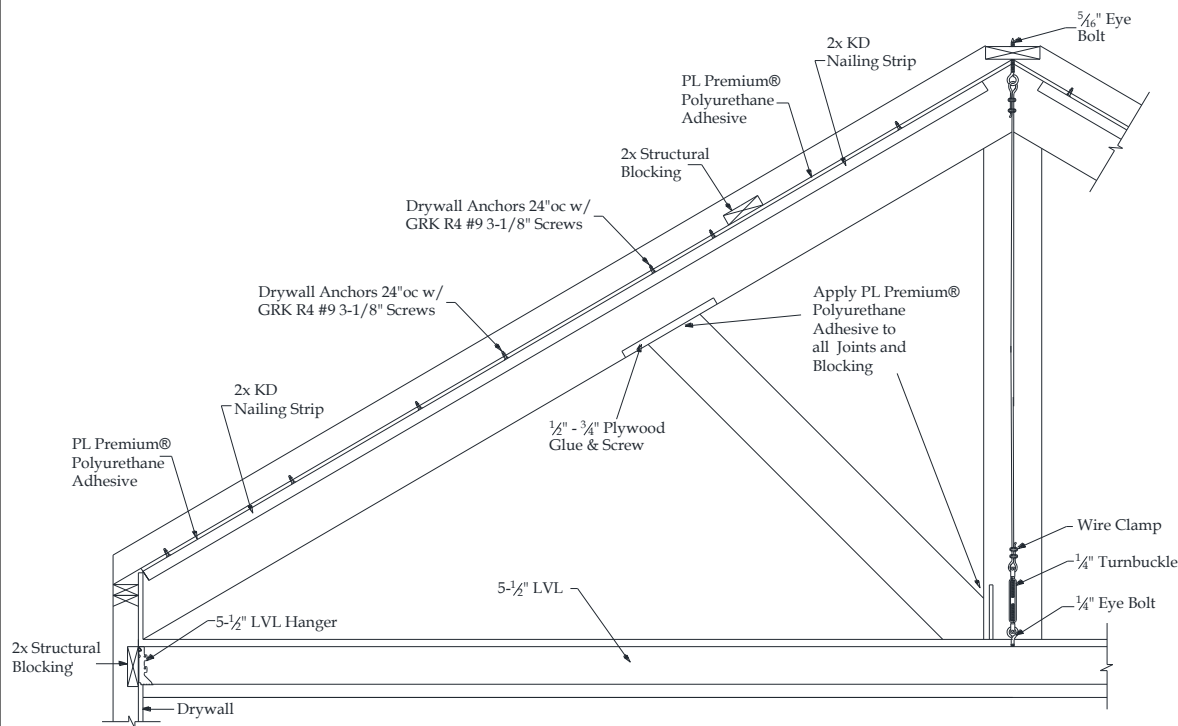


### Specifications

|                        |         |
|------------------------|---------|
| Pitch:                 | 4/12    |
| A) Rafter/Top Chord:   | 8" x 8" |
| B) Bottom/Tie Chord:   | 8" x 8" |
| C) Upper/Tie Chord:    | N/A     |
| D) King Post:          | 8" x 8" |
| E) Queen Post:         | N/A     |
| F) Jack Post:          | N/A     |
| G) Hammer Beam Top:    | N/A     |
| H) Hammer Beam Btm:    | N/A     |
| I) Collar Brace Upper: | N/A     |
| J) Collar Brace Lower: | N/A     |
| K) Hammer Brace:       | N/A     |
| L) Wall Post:          | N/A     |
| M) Web 1:              | 8" x 8" |
| N) Web 2:              | N/A     |
| O) Web 3:              | N/A     |
| P) Flying Buttress:    | N/A     |
| Q) Newel End:          | N/A     |



## Huntsman Truss Recommended Interior Installation Procedures



**A:** Layout beams and chalk lines to the inside of rafter beam.

**B:** Measure down ridge and screw eye bolts into structural blocking at all points.

**C:** Place KD nailing strip on chalk line and pre-drill  $\frac{1}{8}$ " holes 24" on center through strip and into drywall. Install drywall anchors into predrilled holes. Apply  $\frac{1}{4}$ " bead of PL adhesive to top of nailing strip and install using deck screws.

**D:** Glue and screw  $\frac{3}{4}$ " plywood screw plate for web beam install to inside of rafter beam.

**E:** Measure, cut and dry fit rafter beam then pull beam down. Apply PL adhesive to sides of nailing strips. Install rafter beam and use finish screws to secure 24" on center.

**F:** Cut 3"-4" diameter round hole into the bottom of rafter beam for king/queen posts turnbuckle.

**G:** Measure correct length and cut braided cable and install turnbuckle kit.

**H:** Install LVL hangers directly to structural blocking.

**I:** Add 2X blocking every 24" OC to LVL so bottom chord beam is a tight fit. Install LVL. Install bottom chord and its 4th side

**J:** Glue and screw off  $\frac{3}{4}$ " plywood screw plate to inside of king post for connection of web. Stain raw foam on king posts loose side. Install king posts and its 4th side.

**K:** Measure, cut and dry fit web beam. Glue and toe screw in place. Patch holes and touch up HDF if necessary.

Volterra Architectural Products LLC – 1902 North 22nd Avenue – Phoenix , AZ 85009 – 602.258.7373

[www.volterraproducts.com](http://www.volterraproducts.com)