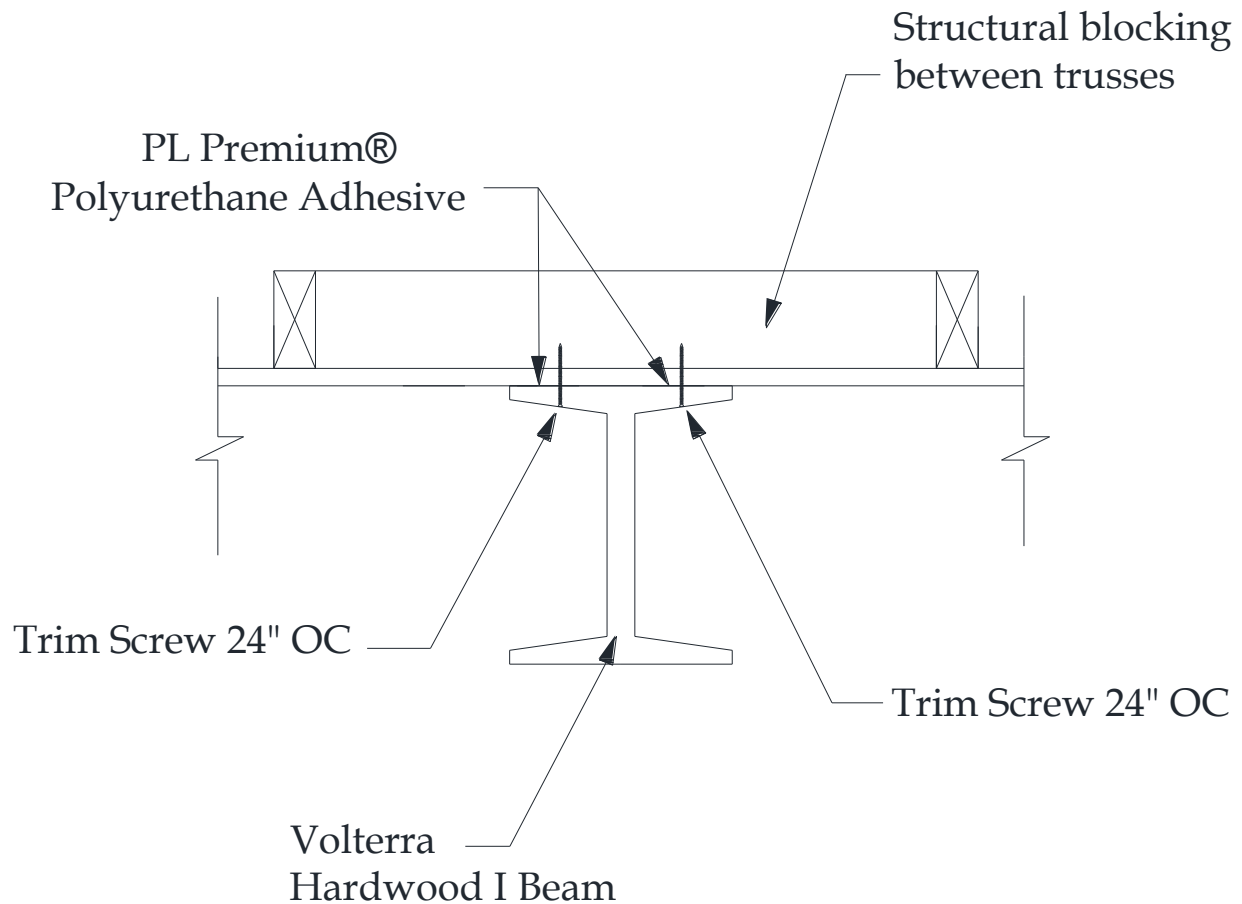




Installation Recommendation for interior I Beams to drywall



Volterra I Beams must be glued to drywall with PL Premium urethane construction adhesive. Apply 2 continuous 1/4" beads on top of beam. Mechanically fasten beams 24" OC with Trim Screws (predrill holes for screws) to structural blocking above drywall. Patch screw holes if necessary with wood putty and touch up paint. Check local codes before installing beams.

Volterra Architectural Products LLC – 1902 North 22nd Avenue – Phoenix , AZ 85009 – 602.258.7373

www.volterraproducts.com