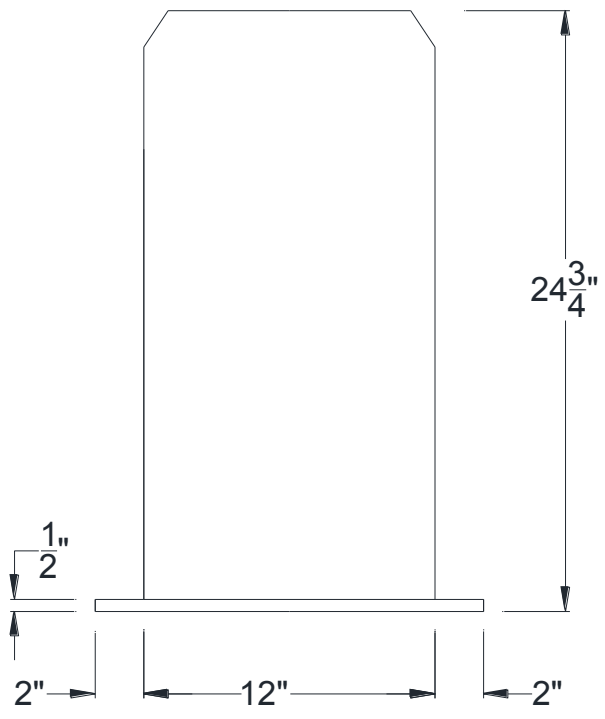


SECTIONAL VIEW



SIDE VIEW

Category: Viga • Texture: Peeled Pine • Product: HDF - High Density Foam • Tolerance: + - 3/8"

Volterra Architectural Products LLC - 1902 North 22nd Avenue - Phoenix, AZ 85009
www.volterraproducts.com