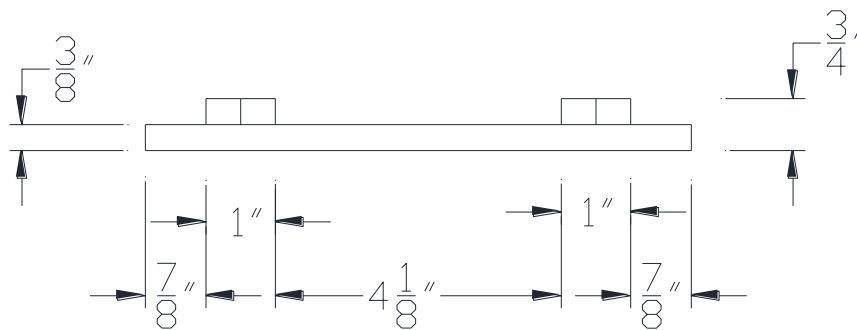


TOP VIEW



SIDE VIEW

Category: Beam Accessories • Texture: Black Iron • Product: Volterra Flex • Tolerance: +/- 1/4"

Volterra Architectural Products LLC—1902 North 22nd Avenue -Phoenix , AZ 85009  
[www.volterraproducts.com](http://www.volterraproducts.com)