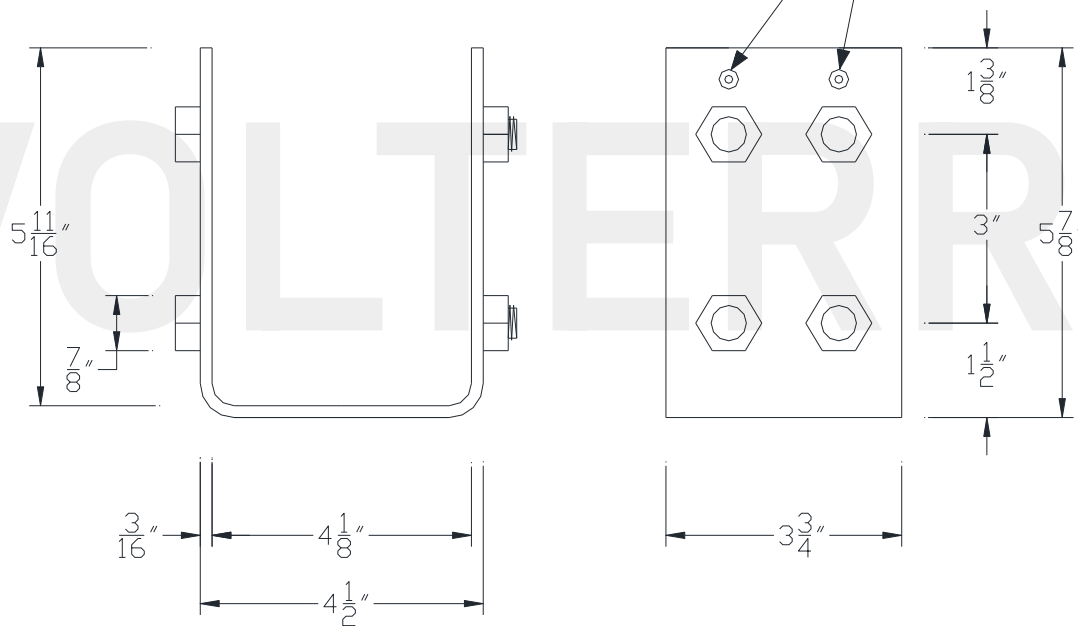


SCREW HOLES



FRONT VIEW

SIDE VIEW

Category: Beam Accessories • Texture: Black Iron • Product: Rigid Strap • Tolerance: +/- $\frac{1}{8}$ "

Volterra Architectural Products LLC - 1902 North 22nd Avenue - Phoenix, AZ 85009
www.volterraproducts.com