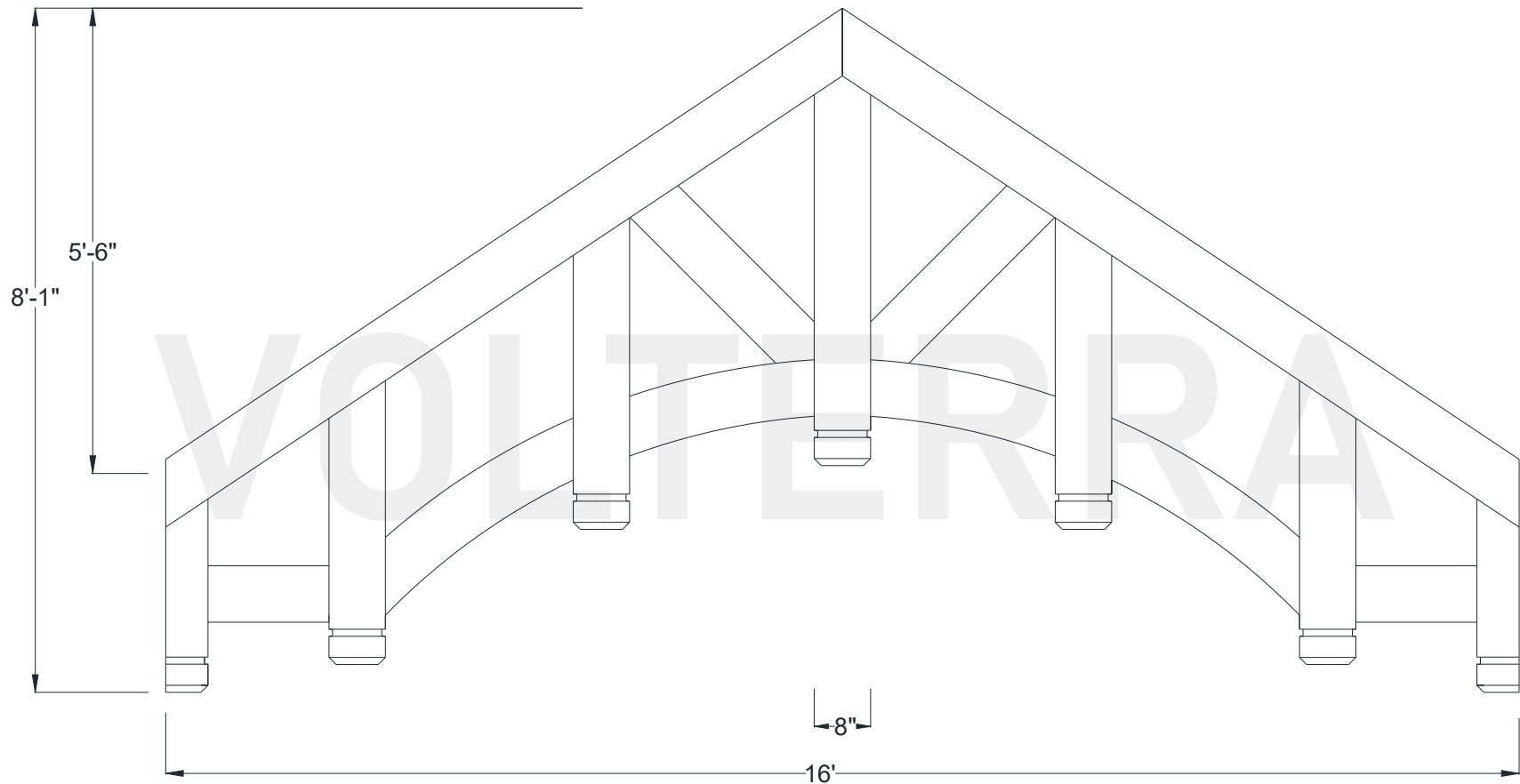




# Hawkeye Hammered Truss

192" Width

Shown: 8/12 Pitch



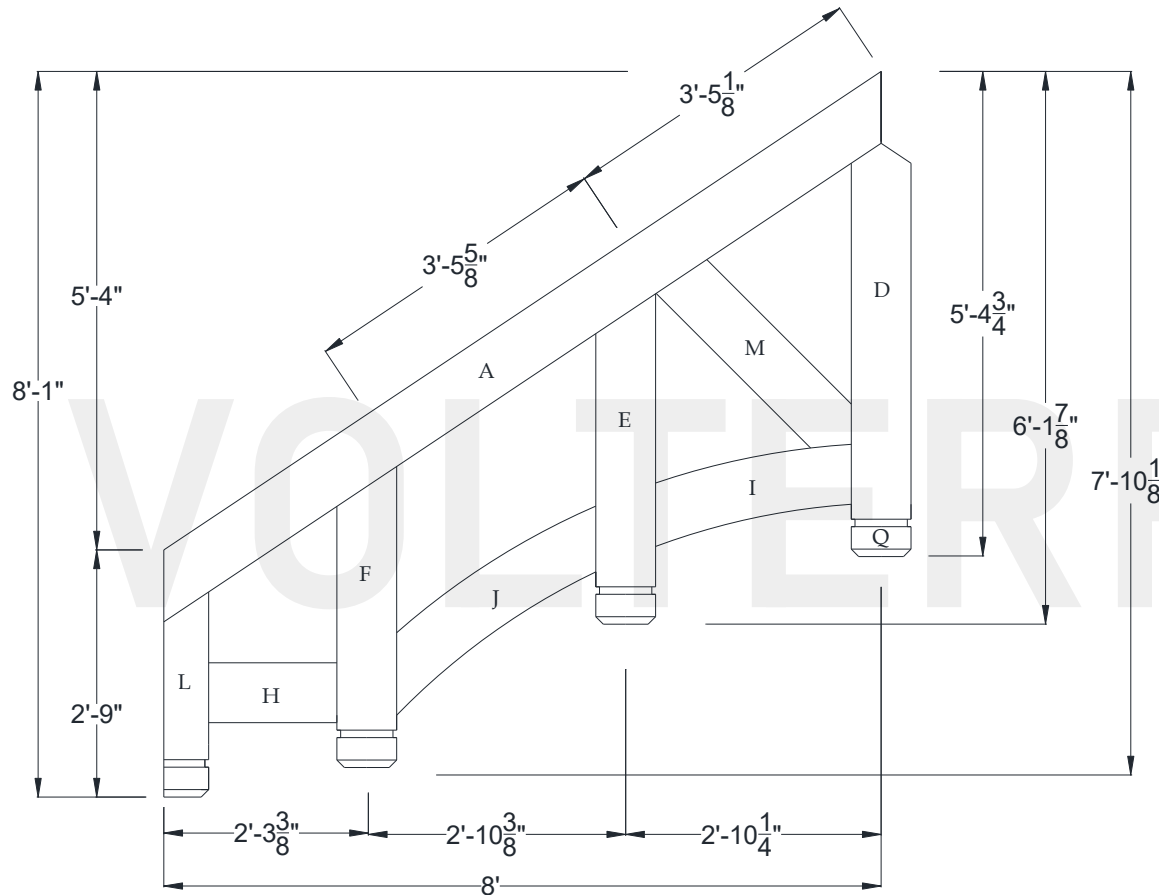
Volterra Architectural Products LLC — 1902 North 22nd Avenue — Phoenix, AZ 85009 — 602.258.7373

[www.volterraproducts.com](http://www.volterraproducts.com)

# Hawkeye Hammered Truss

192" Width

## Dimension Sheet

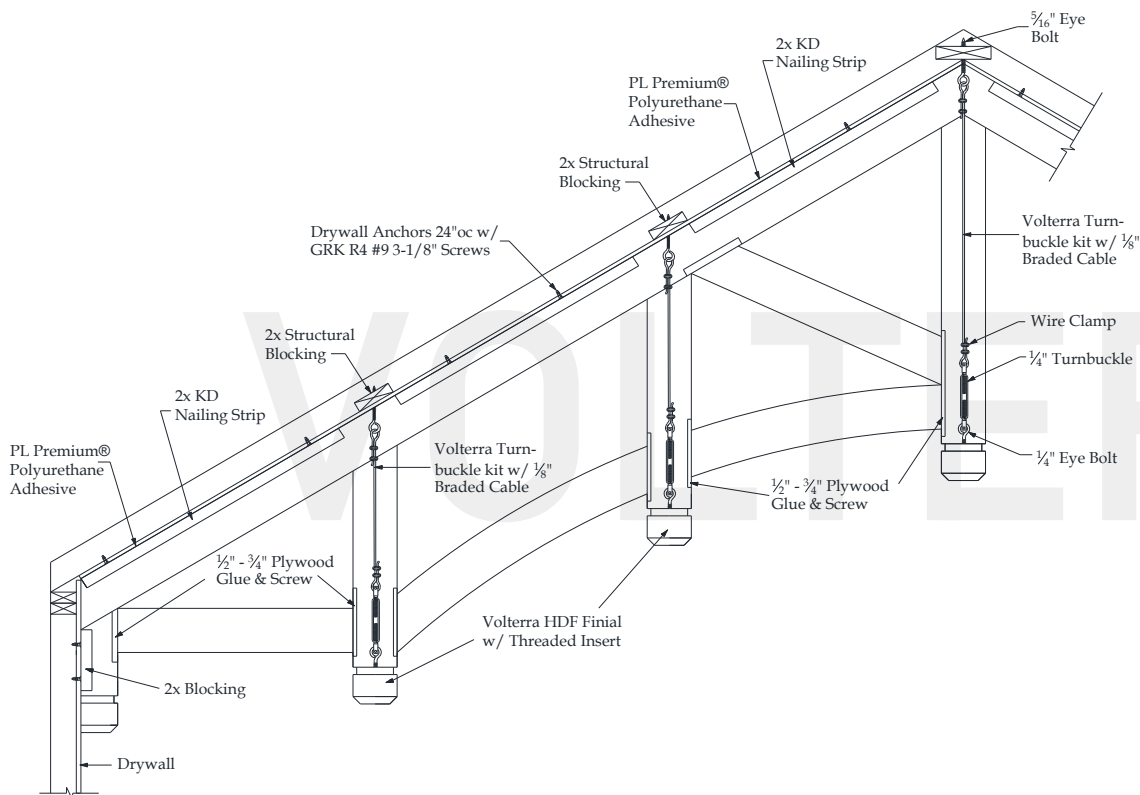


### Specifications

|                        |         |
|------------------------|---------|
| Pitch:                 | 8/12    |
| A) Rafter/Top Chord:   | 8" x 8" |
| B) Bottom/Tie Chord:   | N/A     |
| C) Upper/Tie Chord:    | N/A     |
| D) King Post:          | 8" x 8" |
| E) Queen Post:         | 8" x 8" |
| F) Jack Post:          | 8" x 8" |
| G) Hammer Beam Top:    | N/A     |
| H) Hammer Beam Btm:    | 8" x 8" |
| I) Collar Brace Upper: | 8" x 8" |
| J) Collar Brace Lower: | 8" x 8" |
| K) Hammer Brace:       | N/A     |
| L) Wall Post:          | 8" x 7" |
| M) Web 1:              | 8" x 8" |
| N) Web 2:              | N/A     |
| O) Web 3:              | N/A     |
| P) Flying Buttress:    | N/A     |
| Q) Newel End:          | XC      |



## Hawkeye Truss Recommended Interior Installation Procedures



**A:** Layout beams and chalk lines to the inside of rafter beam.

**B:** Measure down ridge and screw in threaded eye bolts into structural blocking at all points.

**C:** Place KD nailing strip on chalk line and pre-drill  $\frac{1}{8}$ " holes 24" on center through strip and into drywall. Install drywall anchors into predrilled holes. Apply  $\frac{1}{4}$ " bead of PL adhesive to top of nailing strip and install using deck screws.

**E:** Glue and screw  $\frac{1}{2}$ "- $\frac{3}{4}$ " plywood nailing plate to inside of rafter beam for web install.

**D:** Measure, cut and dry fit rafter beam then pull beam down. Apply PL adhesive to sides of nailing strips. Install rafter beam and use finish screws to secure 24" on center.

**E:** Cut 3"-4" diameter round hole for king, queen & jack post turnbuckle.

**F:** Measure correct length and cut braided cable and install turnbuckle kit. Glue and screw off  $\frac{1}{2}$ "- $\frac{3}{4}$ " screw plate to inside of king, queen & jack posts for connection of hammer and collar braces. Stain raw foam on king/queen post and loose side. Install king, queen & jack posts and their 4th side.

**G:** Glue and screw 2x blocks and  $\frac{1}{2}$ "- $\frac{3}{4}$ " plywood nailing plate for both wall posts. Measure and cut both posts. Dry fit first. Apply PL adhesive to contact areas. Install using finish screws.

**H:** Measure, cut and dry fit web and hammer beam. Glue and toe screw in place. Patch holes and touch up HDF if necessary.

Volterra Architectural Products LLC—1902 North 22nd Avenue -Phoenix, AZ 85009 - 1.602.258.7373

[www.volterraproducts.com](http://www.volterraproducts.com)