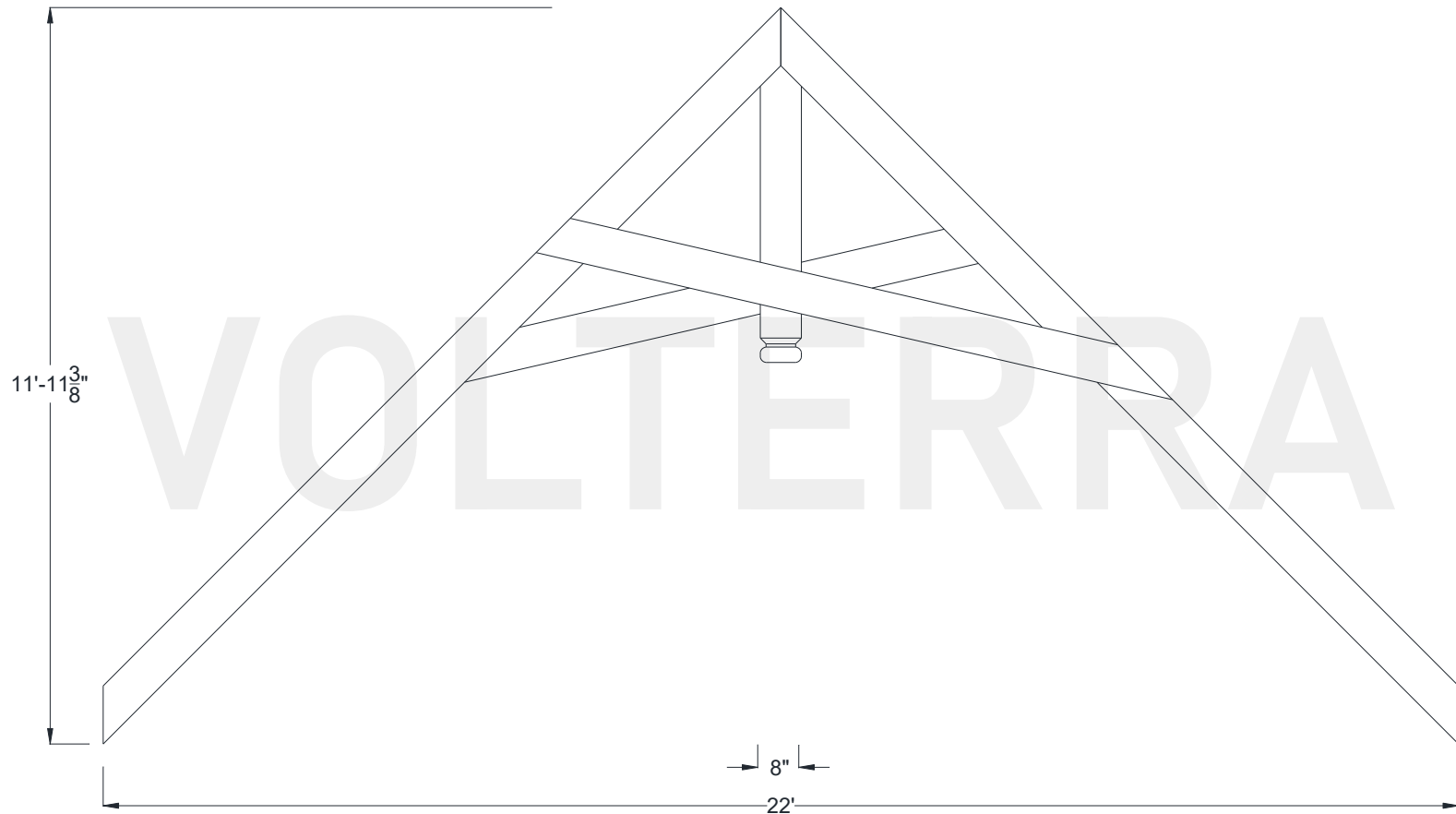




# Catskill Truss

264" Width

Shown: 12/12 Pitch



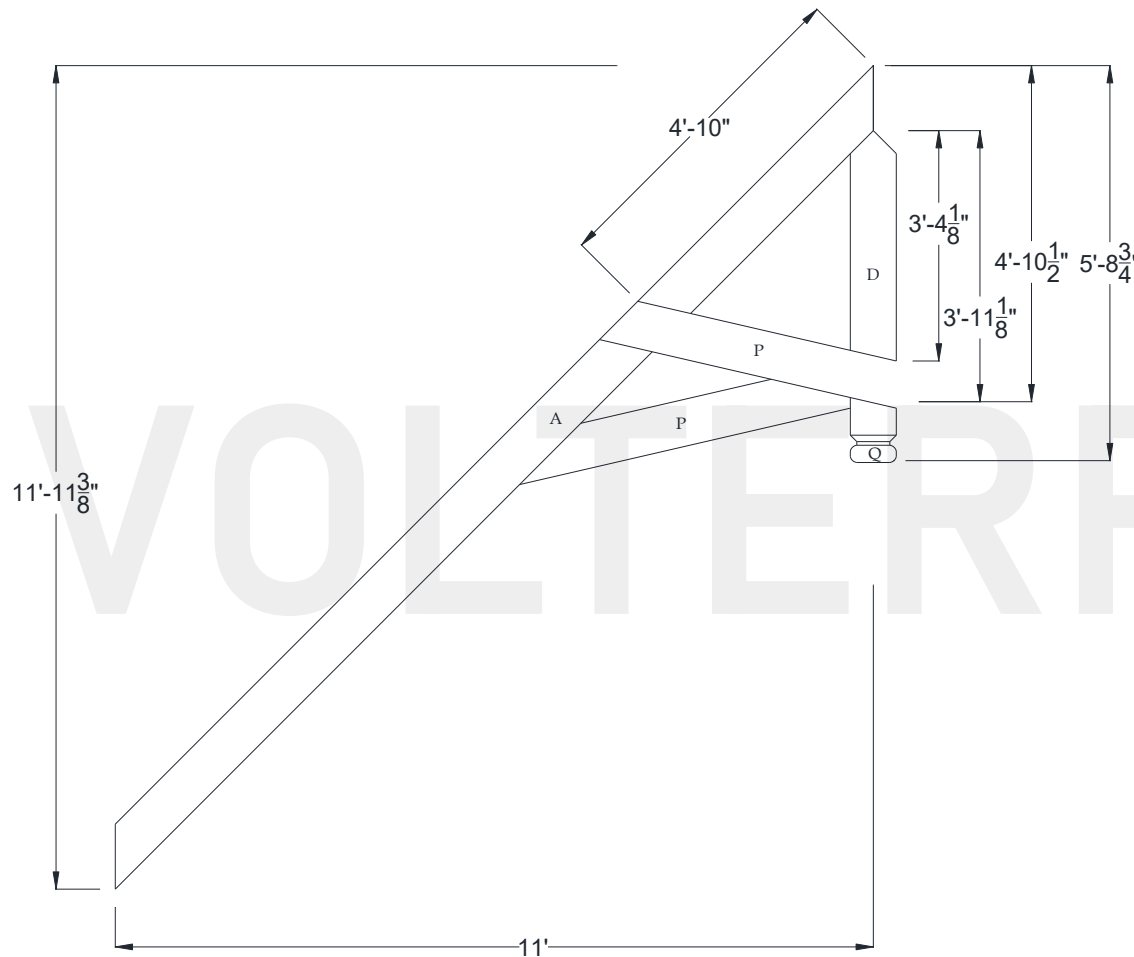
Volterra Architectural Products LLC – 1902 North 22nd Avenue – Phoenix, AZ 85009 – 602.258.7373

[www.volterraproducts.com](http://www.volterraproducts.com)

# Catskill Truss

## 264" Width

### Dimension Sheet



#### Specifications

|                        |         |
|------------------------|---------|
| Pitch:                 | 12/12   |
| A) Rafter/Top Chord:   | 8" x 8" |
| B) Bottom/Tie Chord:   | N/A     |
| C) Upper/Tie Chord:    | N/A     |
| D) King Post:          | 8" x 8" |
| E) Queen Post:         | N/A     |
| F) Jack Post:          | N/A     |
| G) Hammer Beam Top:    | N/A     |
| H) Hammer Beam Btm:    | N/A     |
| I) Collar Brace Upper: | N/A     |
| J) Collar Brace Lower: | N/A     |
| K) Hammer Brace:       | N/A     |
| L) Wall Post:          | N/A     |
| M) Web 1:              | N/A     |
| N) Web 2:              | N/A     |
| O) Web 3:              | N/A     |
| P) Flying Buttress:    | 2" x 8" |
| Q) Newel End:          | CL      |



## Catskill Truss

### Recommended Interior Installation Procedures



**A:** Layout beams and chalk lines to the inside of rafter beam.

**B:** Screw in threaded eye bolts into structural blocking at ridge.

**C:** Place KD nailing strip on chalk line and pre-drill 1/8" holes 24" on center through strip and into drywall. Install drywall anchors into predrilled holes. Apply 1/4" bead of PL adhesive to top of nailing strip and install using deck screws.

**D:** Measure, cut and dry fit rafter beam then pull beam down. Apply PL adhesive to sides of nailing strips. Install rafter beam and use trim screws to secure 24" on center.

**E:** Cut 3"-4" diameter round hole for king post turnbuckle.

**F:** Measure correct length and cut braided cable and install turnbuckle kit. Stain raw foam on king post and loose side. Install king post and its 4th side.

**I:** Measure, cut and dry fit flying buttress beams. Lightly mark/pencil line on top and bottom of flying buttress. Apply a minimum of 2-3 @ 1/4" beads of PL Premium Adhesive to king post and rafters. Hold flying buttress in place and screw a minimum of 2 trim screws to each connection point. Patch holes and touch up HDF if necessary.

Volterra Architectural Products LLC – 1902 North 22nd Avenue – Phoenix, AZ 85009 – 602.258.7373

[www.volterraproducts.com](http://www.volterraproducts.com)