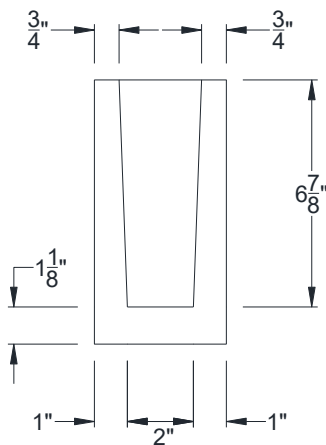
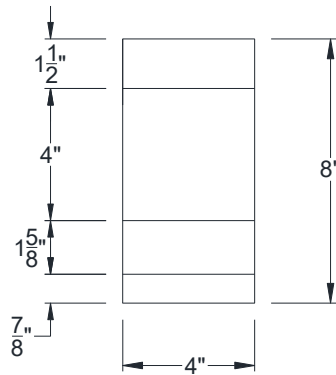


SIDE VIEW



BACK VIEW



FRONT VIEW

Category: Corbel • Texture: Rough Sawn • Product: HDF - High Density Foam • Note: Open Top

Volterra Architectural Products LLC—1902 North 22nd Avenue - Phoenix, AZ 85009

www.volterraproducts.com