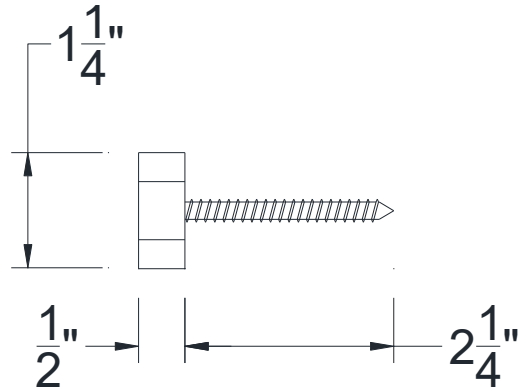
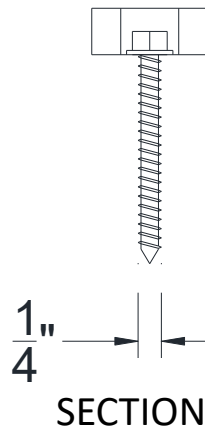


TOP VIEW



SIDE VIEW



SECTION

Category: Beam Accessories • Texture: Black Iron • Product: RMBSAC • Tolerance: +/- $\frac{1}{8}"$

Volterra Architectural Products LLC—1902 North 22nd Avenue -Phoenix, AZ 85009
www.volterraproducts.com